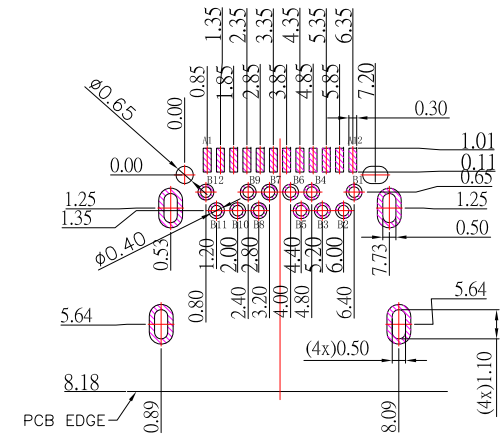




SBC-240S46-45x-S338

鍍層厚度

- 1 : 3u"
- 2 : 15u"
- 3 : 30u"



P.C.B LAYOUT

SPECIFICATIONS

Electrical:

1. Rating: 20V , 3.0A
- 2.Contact Resistance: 40 mΩ Max
- 3.Insulation Resistance: 100 MΩ Min
- 4.Dielectric Withstanding Voltage: 100V AC

Mechanical:

- 1.Connector Mate and Unmate Force
 - 1.1 Mate force: 5~20 N
 - 1.2 Unmate force: 8~20 N

Material:

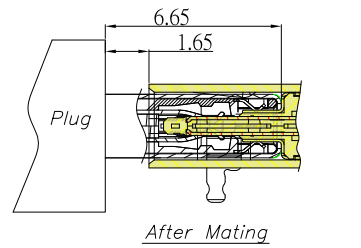
- 1.Housing: LCP
- 2.Contact: C7025
- 3.Shell: SUS

Finish:

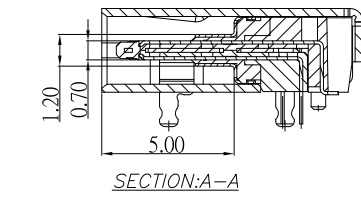
- 1.Contact: Plated Gold in Mating Area ;
Gold Plated on Solder Balls ;
Nickel under plated overall
- 2.Shell: Nickel under Plated surface layer

USB TYPE-C FULL FEATURED RECEPTACLE INTERFACE PIN ASSIGNMENTS

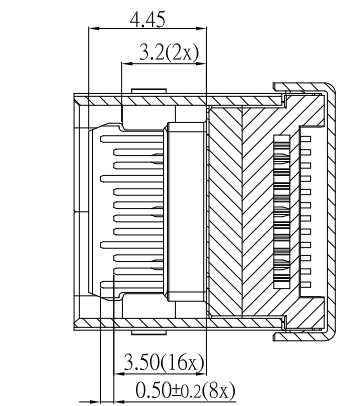
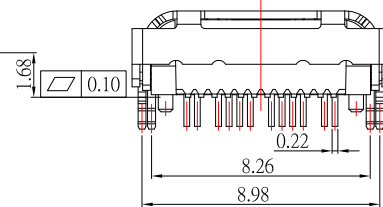
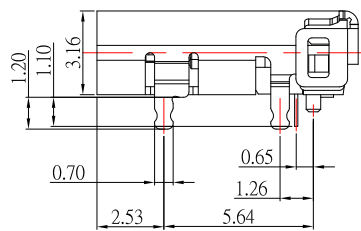
Pin	Signal Name	Description	Mating Sequence	Pin	Signal Name	Description	Mating Sequence
A1	GND	Ground return	First	B12	GND	Ground return	First
A2	SSTxp1	Positive half of first SuperSpeed TX differential pair	Second	B11	SSRx1	Negative half of first SuperSpeed RX differential pair	Second
A3	SSTxn1	Negative half of first SuperSpeed TX differential pair	Second	B10	SSRx1	Positive half of first SuperSpeed RX differential pair	Second
A4	Vns	Bus Power	First	B9	Vns	Bus Power	First
A5	CC1	Configuration Channel	Second	B8	SRB2	Sideband Use (SBU)	Second
A6	bp1	Positive half of the USB 2.0 differential pair-Position 1	Second	B7	bp2	Negative half of the USB 2.0 differential pair-Position 2	Second
A7	bn1	Negative half of the USB 2.0 differential pair-Position 1	Second	B6	bp2	Positive half of the USB 2.0 differential pair-Position 2	Second
A8	SR1	Sideband Use(SBU)	Second	B5	CC2	Configuration Channel	Second
A9	Vns	Bus Power	First	B4	Vns	Bus Power	First
A10	SSRx2	Negative half of second SuperSpeed RX differential pair	Second	B3	SSTxn2	Positive half of second SuperSpeed TX differential pair	Second
A11	SSRx2	Positive half of second SuperSpeed RX differential pair	Second	B2	SSTxp2	Negative half of second SuperSpeed TX differential pair	Second
A12	GND	Ground return	First	B1	GND	Ground return	First



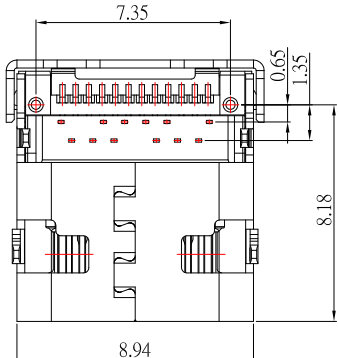
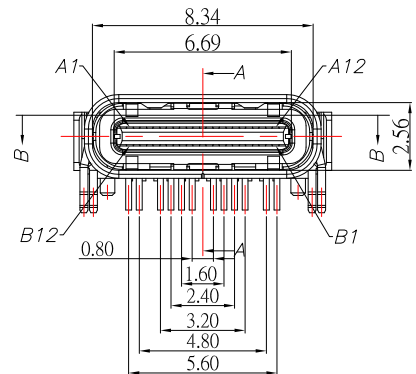
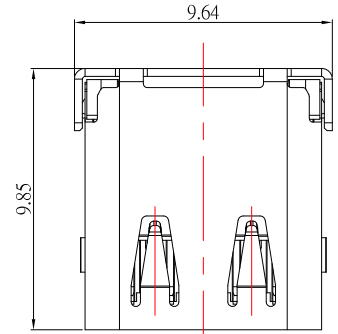
After Mating



SECTION:A-A



SECTION:B-B



CONTACT 建倚科技股份有限公司
CONTACT TECHNOLOGY CORP.

TOLERANCE UNLESS OTHERWISE STATED:
Up to 5 ±0.2
Above 5 ~ 15 ±0.3
Above 15 ~ 30 ±0.4
Above 30 ~ 50 ±0.5
Angle ±0.3

3RD. ANGEL'S

UNITS MM

DRAWN BY:	DATE	MAT'L	TITLE	CONNECTOR
Jack Lu	01/05/24	FINISH	MODLE	USB4.0 TYPE CF SMT-DIP CL1.68 L9.87 GEN 3X2 40G
CHECKED BY:	DATE	SCALE	DWG NO.	SBC-240S46-45x-S338
Jacky Chen	01/05/24	1 : 1	PART NO.	SBC-240S46-45x-S338
APPROVED BY:	DATE	SHEET NO.	SIZE	A4
Tony Kao	01/05/24	1 of 1	VER	R

ITEM NO.	DESCRIPTION	DRAWN	DATE
A	B	C	D